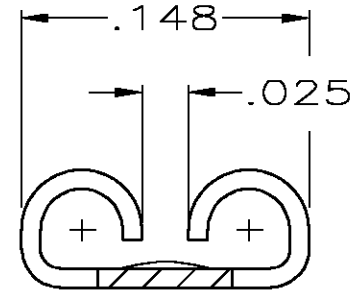
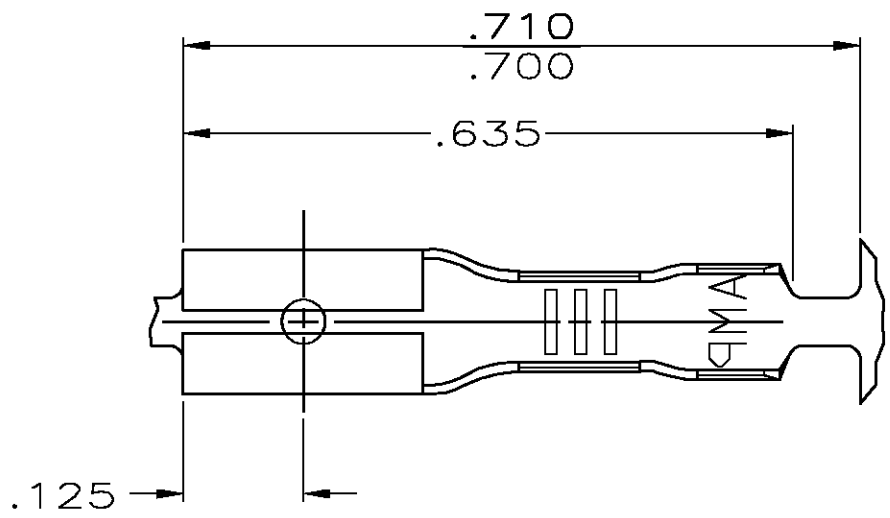


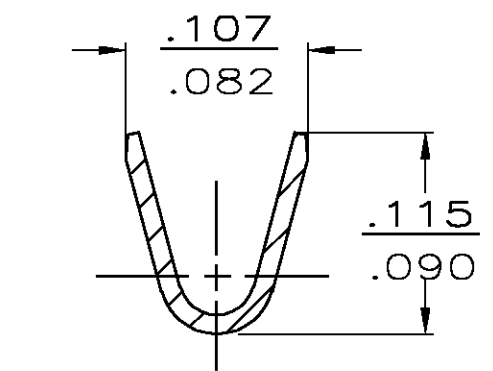
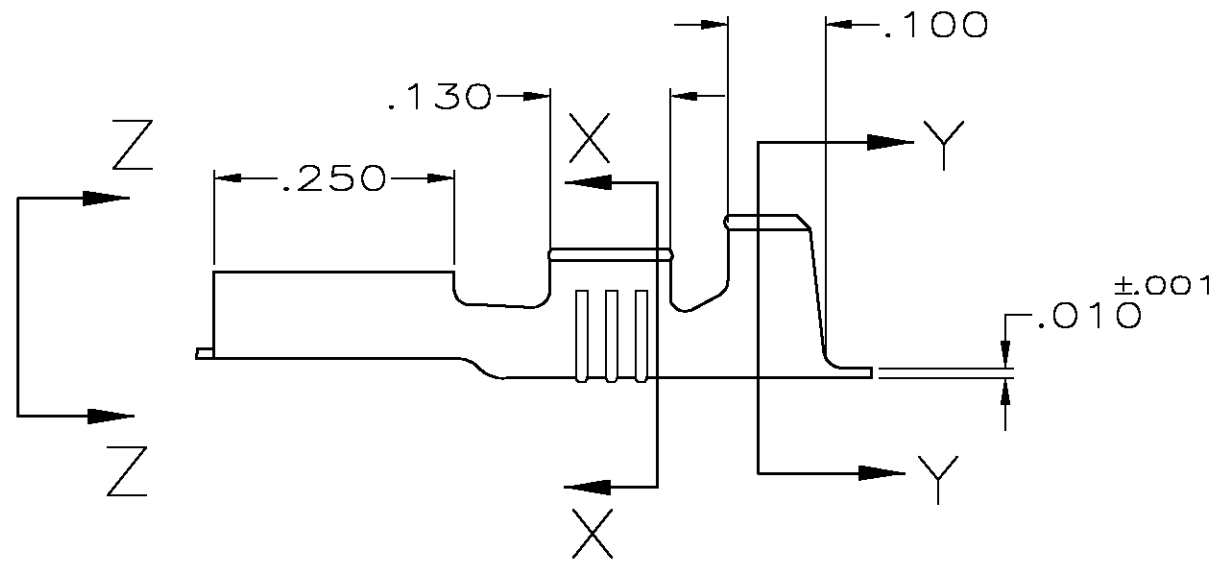
THIS DRAWING IS UNPUBLISHED. RELEASED FOR PUBLICATION
 © COPYRIGHT BY TYCO ELECTRONICS CORPORATION. ALL RIGHTS RESERVED.

LOC	DIST	REVISIONS			
P	LTR	DESCRIPTION	DATE	DWN	APVD
AF	50	C	REV PER 0G3A -0677-04	25AUG04	JR PD

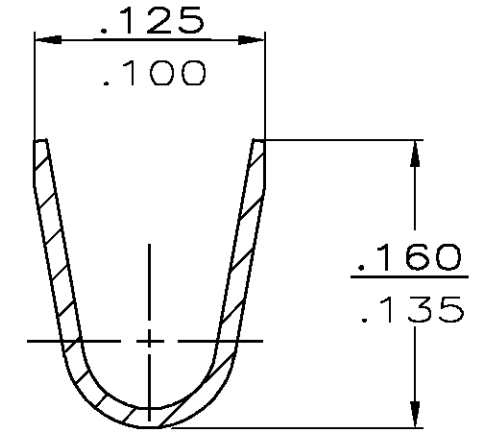
- 1 CONTINUOUS STRIP ON REELS
- 2 WIRE SIZE IS #22-#18 AWG
- 3 INSULATION RANGE IS .060-.100 DIA
- 4 MATING TAB THK IS .032±.001
- △5 REELED WITH INTERLEAVING PAPER
- △6 PRELIMINARY - NOT FOR PRODUCTION



VIEW Z-Z
SCALE 10:1



SECTION X-X
SCALE 10:1



SECTION Y-Y
SCALE 10:1

△6	△5	60577-2
		60577-1
		WIRE SIZE

THIS DRAWING IS A CONTROLLED DOCUMENT.		DWN JR RUTH 12/20/90	Tyco Electronics Corporation Harrisburg, Pa 17105-3608														
DIMENSIONS: INCHES		CHK MS FEHER 12/20/90															
TOLERANCES UNLESS OTHERWISE SPECIFIED:		APVD D REINER 12/20/90	NAME RECEPTACLE, FASTON, .110 SERIES														
<table border="1"> <tr><td>0 PLC</td><td>± -</td></tr> <tr><td>1 PLC</td><td>± -</td></tr> <tr><td>2 PLC</td><td>± -</td></tr> <tr><td>3 PLC</td><td>± .015</td></tr> <tr><td>4 PLC</td><td>± -</td></tr> <tr><td>ANGLES</td><td>± -</td></tr> </table>		0 PLC	± -	1 PLC	± -	2 PLC	± -	3 PLC	± .015	4 PLC	± -	ANGLES	± -	PRODUCT SPEC -	APPLICATION SPEC -		
0 PLC	± -																
1 PLC	± -																
2 PLC	± -																
3 PLC	± .015																
4 PLC	± -																
ANGLES	± -																
MATERIAL #4H BRASS		FINISH PRE-TIN	WEIGHT -	SIZE A3	CAGE CODE 00779	DRAWING NO C-60577	RESTRICTED TO -										
CUSTOMER DRAWING			SCALE 5:1	SHEET 1 OF 1	REV C												